

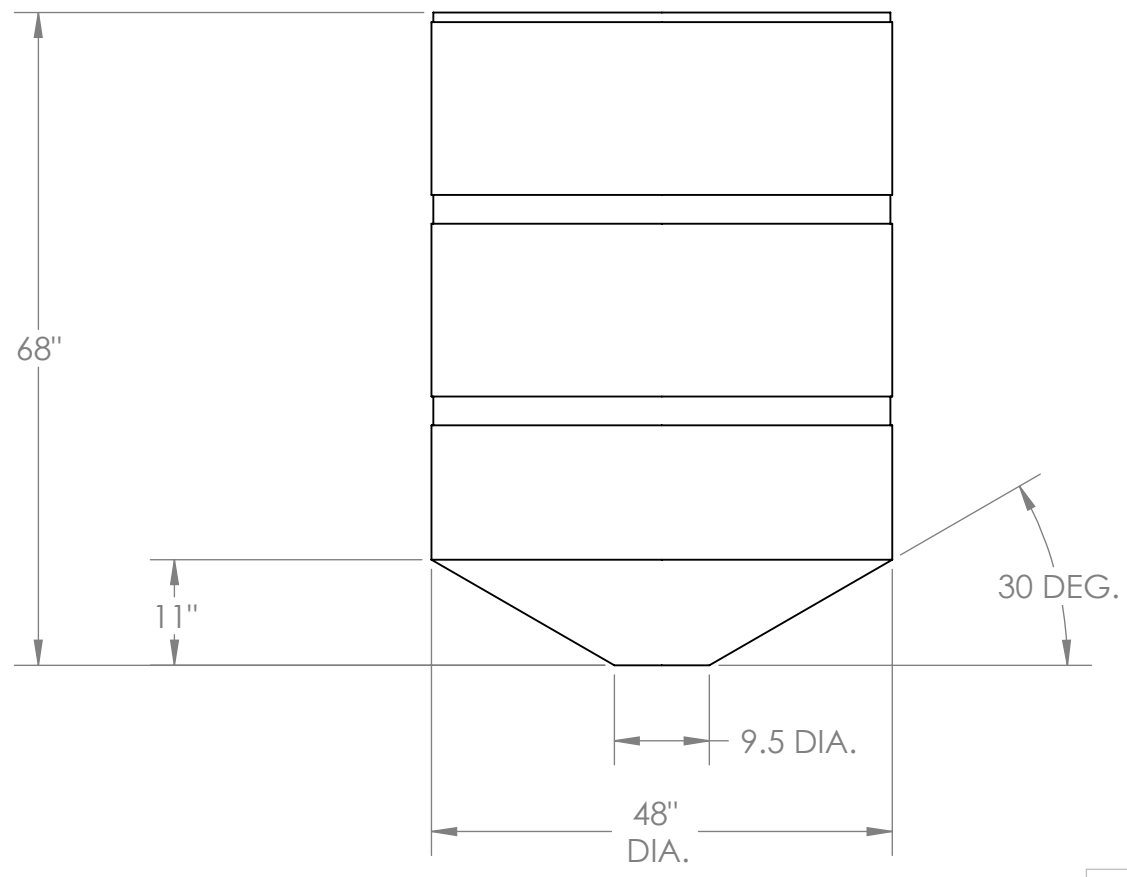
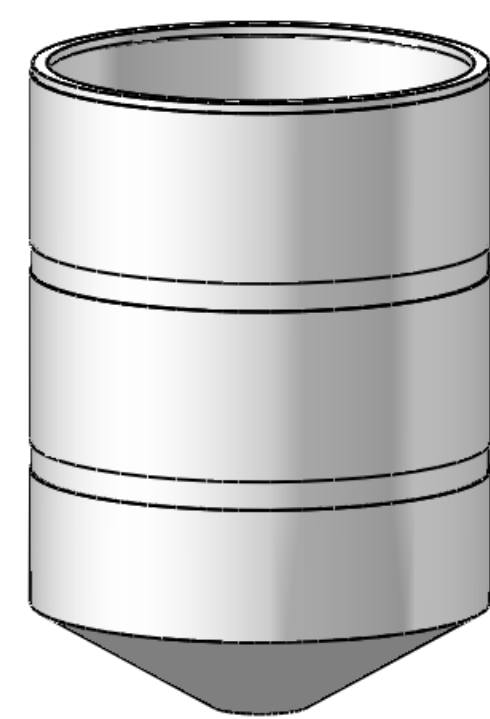
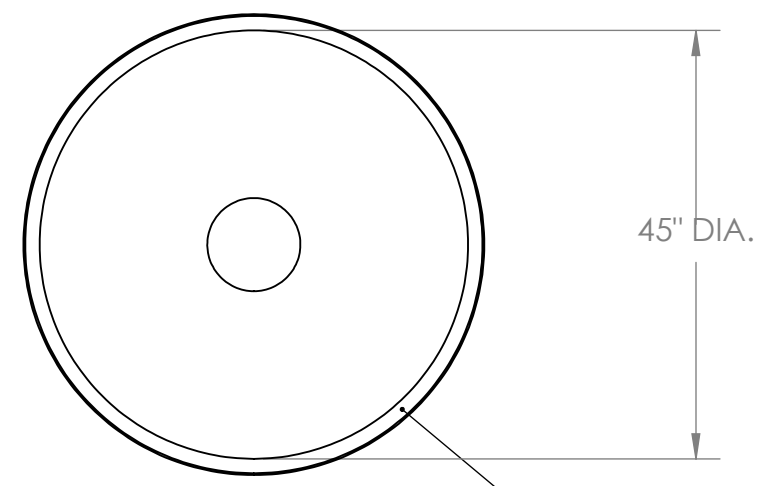
8 7 6 5 4 3 2 1

D

C

B

A



NOTES:

- 1. MATERIAL: POLYETHYLENE
- 2. WEIGHT: MOLDED 160 LBS.

PROPRIETARY AND CONFIDENTIAL
 THE INFORMATION CONTAINED IN THIS DRAWING IS THE SOLE PROPERTY OF <INSERT COMPANY NAME HERE>. ANY REPRODUCTION IN PART OR AS A WHOLE WITHOUT THE WRITTEN PERMISSION OF <INSERT COMPANY NAME HERE> IS PROHIBITED.

		UNLESS OTHERWISE SPECIFIED:		NAME	DATE	CUSTOM ROTO-MOLDING, INC.				
		DIMENSIONS ARE IN INCHES		DRAWN	EBW	11-19-08	TITLE: 450 GALLON OPEN TOP CONE TANK			
		TOLERANCES:		CHECKED						
		FRACTIONAL ±		ENG APPR.						
		ANGULAR: MACH ± BEND ±		MFG APPR.						
		TWO PLACE DECIMAL ±		Q.A.			SIZE	DWG. NO.	REV	
		THREE PLACE DECIMAL ±		COMMENTS:			B	450 OTCB		
		INTERPRET GEOMETRIC TOLERANCING PER:					SCALE: 1:20		WEIGHT:	SHEET 1 OF 1
		MATERIAL								
		FINISH								
NEXT ASSY	USED ON	APPLICATION		DO NOT SCALE DRAWING						

8 7 6 5 4 3 2 1